



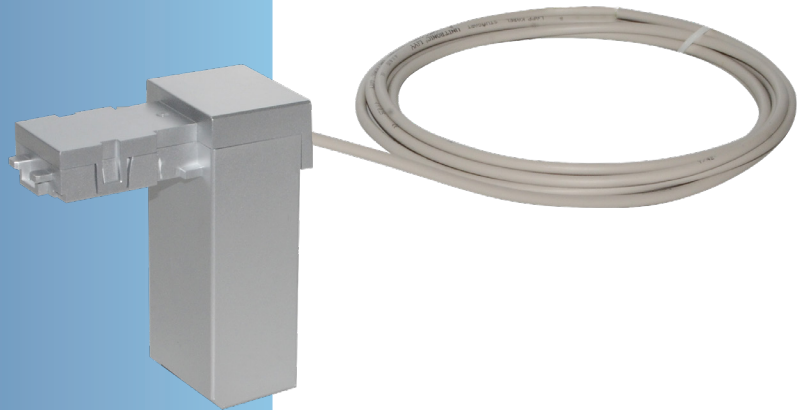
Water

GWF

GWF4D technology®

4-20 mA MODULE

Sonico®
NFC-Communication module



Your benefits

- > High-resolution:
4-20 mA current output with 16 Bit resolution
- > Configurable volume:
20mA configurable over meter IR-interface and sonico LIFE app
- > Uni- or bidirectional current output modes:
12 mA separation or absolute values for forward and reverse current output
- > High flexibility:
2 pcs. 4-20 mA modules can operate simultaneously with different settings
- > Water proof design:
Sealed housing (IP68)
- > Plug & Play:
Easy and fast on-site installation with auto NFC interface-detection

Features

- > Three output modes for uni- or bidirectional flow measurements
- > Snap-in NFC module slots – no connectors or cables needed
- > Can be factory fitted or retrofitted at installation site without breaking metrological seal
- > Compatible with all versions of sonico® meters
- > NFC port – Data security via AES-128-bit end-to-end encryption
- > Infrared configuration interface – Data security via AES-128-bit end-to-end encryption
- > **CE** conformity

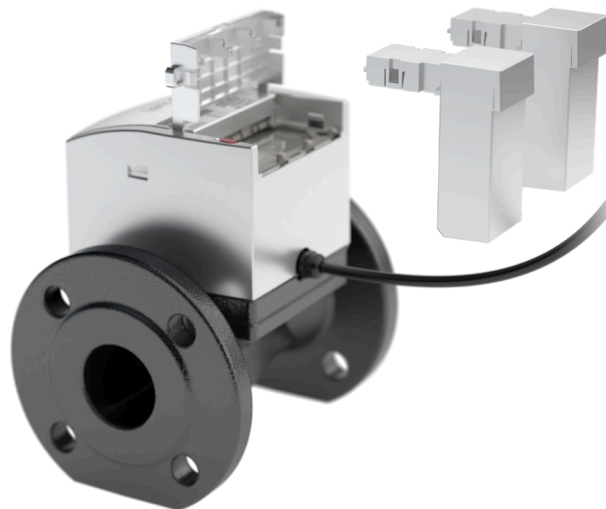
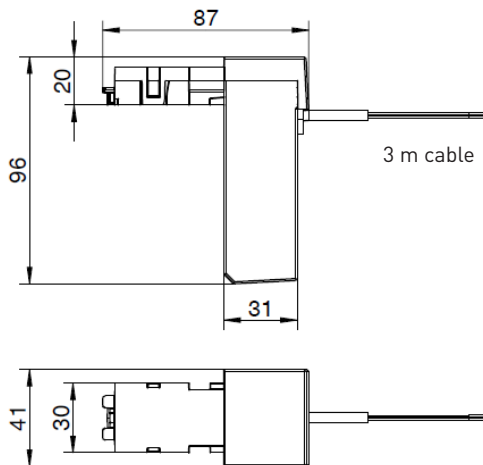
Applications

- > SCADA system
- > Industrial control application
- > Building management system
- > Data logging in combination with various data loggers
- > Installation in harsh and flooded environment

Modes

Operating modes		
Mode 1	For forward measurements only	3.5 mA = Alarm, no NFC connection or configured flow rate exceeded 4 mA = 0-flow 20 mA = Configurable unsigned flow in forward direction
Mode 2	For forward and reverse measurements	3.5 mA = Alarm, no NFC connection or configured flow rate exceeded 4 mA = Configurable signed flow in reverse direction 12 mA = 0-flow 20 mA = Configurable signed flow in forward direction
Mode 3	For forward and reverse measurements	3.5 mA = Alarm, no NFC connection or configured flow rate exceeded 4 mA = 0-flow 20 mA = Unsigned flow in forward or reverse direction

Dimensions (mm)



Technical data

Specifications	
Compliance with standard	EN 300 220
Approval	CE
Protection class	IP68
Cable length/ supplied	3 m including cable joint for cable extension
Maximum cable length	500 m
Weight	approx. 243 g

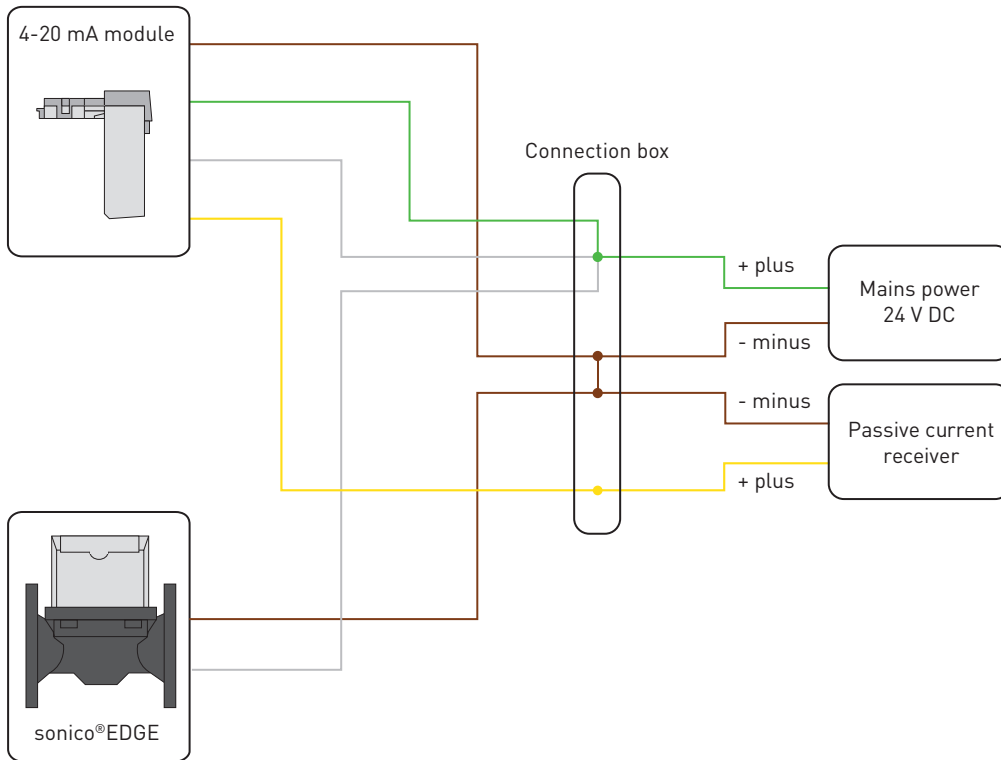
Power supply	
Voltage	8...26 V DC No battery included
Current	< 3 mA

Conditions	
Operational temperature	-10 to +60 °C
Storage temperature	-10 to +70 °C
Relative humidity	0 to 100 % (IP68)

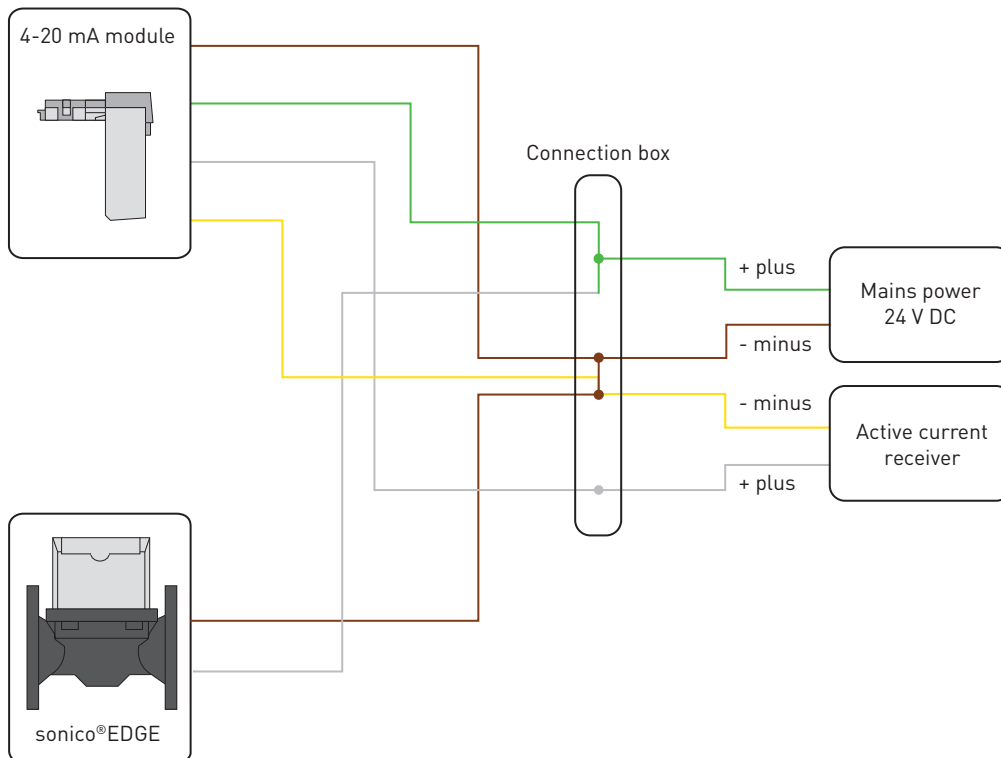
OUTPUT + CONNECTION → 4-20 mA MODULE

Electrical scheme

1. Sonico® 4-20 mA module and meter connection schema using a passive read-out instrument.

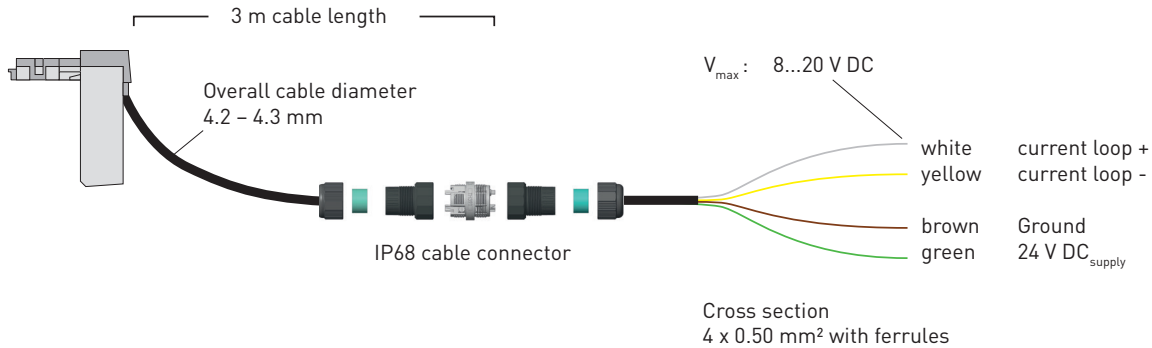


2. Sonico® 4-20 mA module and meter connection schema using an active read-out instrument.



OUTPUT + CONNECTION → 4-20 mA MODULE

4-20 mA module cable connection



GWF

GWF MessSysteme AG
Obergrundstrasse 119
6005 Lucerne, Switzerland

T +41 41 319 50 50
info@gwf.ch

Technical support
T +41 41 319 52 00
support@gwf.ch

→ gwf.ch